

# IW-RS112-08

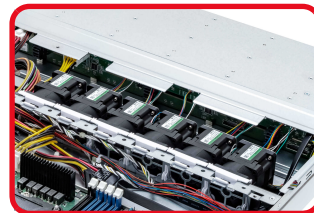
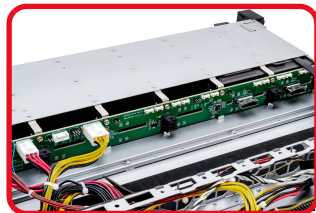
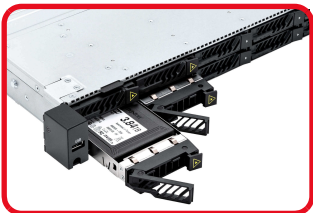
1U NVMe Hybrid Storage Server

Storage Server



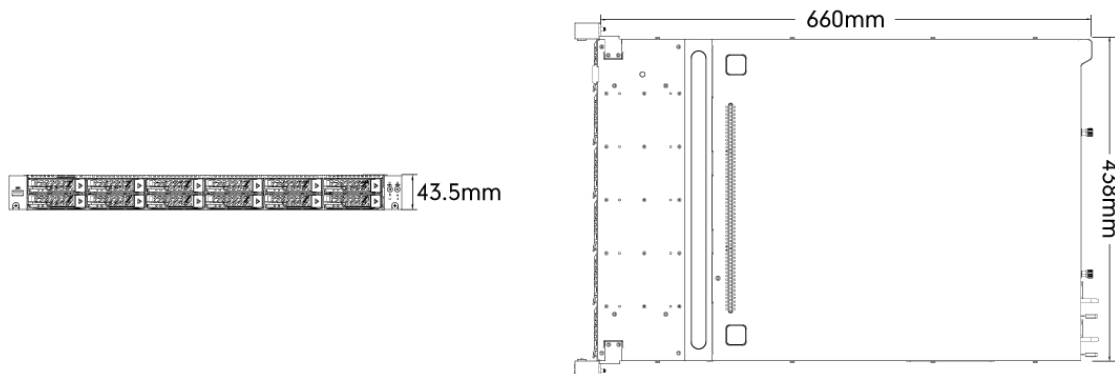
## Features & Benefits

- Intel<sup>®</sup> Xeon Scalable & AMD EPYC family compliant
- Hybrid backplane selections with Mini-SAS HD and Slimline connectors
  - Supports PCIe 4.0 with backplane Slimline (SFF-8654 x8) slots
- Compact bay deployment, supports max. NVMe SSDs x 4, max. 2.5" (15mm) trays x 12
- Large cooling area within the tray front panel and six easy-swap fans bring excellent airflow
  - Supports full-height PCIe slot x 1; One riser card included in accessories box
- Custom I/O shield service offered for chassis backplate to match specific motherboards with SGCC material



### Specifications

Industry Standard	EIA-RS310D
M/B Form Factor	ATX (12" x 9.6"), CEB (12" x 10.5"), EEB (12" x 13")
Drive Bay	External <ul style="list-style-type: none"> <li>• Max. 2.5" hot-swap trays x 12</li> <li>• Max. U.2 NVMe SSD trays x 4</li> </ul>
Power Supply	Supports: <ul style="list-style-type: none"> <li>• 750W 1U redundant PSU, 80 Plus Platinum</li> </ul>
Indicator	Power LED, LAN1/LAN2 LED, system LED, HDD LED, ID LED
Front Control Panel	Power on/off, reset, NMI, ID SW, USB 3.0 x 1
Backplane Type-1	<ul style="list-style-type: none"> <li>• Host: Mini-SAS HD (SFF-8643) x 3, Slimline (SFF-8654 x8) x 2</li> <li>• HDD: SAS/SATA x 12 or SAS/SATA x 8 and NVMe SSD x 4</li> </ul>
Backplane Type-2	<ul style="list-style-type: none"> <li>• Host: Mini-SAS HD (SFF-8643) x 3</li> <li>• HDD: SAS/SATA x 12</li> </ul>
Cooling Fan	40 x 56mm PWM easy-swap fans x 6, 21500 RPM modular design with anti-vibration
Expansion Slot	Full-Height PCIe slot x 1 with riser card (Left-facing 90 degree design)
Material	<ul style="list-style-type: none"> <li>• Material: SGCC</li> <li>• Thickness: 1.0mm</li> </ul>
Rail Kit	Supports 28" tool-less & ball-bearing slide rails
Product Dimensions (DxWxH; Chassis Only)	676 x 438 x 43.5mm (26.6"x17.2"x1.7")
Package Dimensions (DxWxH)	820 x 590 x 175mm (32.3"x23.2"x6.9")
Weight (Chassis Only)	<ul style="list-style-type: none"> <li>• Net weight: 10.6kg</li> <li>• Gross weight: 12.97kg</li> </ul>
Cubic Feet	2.99
Container Information	Single packing with pallets: <ul style="list-style-type: none"> <li>• 20': 200pcs</li> <li>• 40': 460pcs</li> <li>• 40' HQ: 552pcs</li> </ul>



### 12Gbps Backplane Specifications

Backplane Type-1	Mini-SAS HD & Slimline Backplane
Dimensions (W x H)	404.5 x 52mm
Backplane Type	Passive
Host Interface	• Host: Mini-SAS HD (SFF-8643) x 3, Slimline (SFF-8654) x 2
HDD Interface	• HDD: SAS/SATA x 12 or SAS/SATA x 8 and NVMe SSD x 4

Backplane Type-2	Mini-SAS HD Backplane
Dimensions (W x H)	404.5 x 52mm
Backplane Type	Passive
Host Interface	• Host: Mini-SAS HD (SFF-8643) x 3
HDD Interface	• HDD: SAS/SATA x 12

### Optional Items

Item	Part Number	Description	Support
Slide Rail	3RAMIS148100	28" tool-less & ball-bearing slide rail	1 set
Slide Rail	3RAMIS152300/ 3RAMIS152400	28" tool-less & ball-bearing slide rail with CMA support	1 set
Cable	3RAMW4031700	Mini SAS 12Gbps cable SFF-8643 to SFF-8643, 800mm	Max. 3
Power Supply	3RAMAP030400	750W 1U redundant PDB power cage	1
Power Supply	3RAMAP042200	750W 1U redundant module, 80 Plus Platinum, IEC 62368-1 certified	Max.2
Power Supply	3RAMAP028000	750W 1U redundant module, 80 Plus Platinum	Max.2
Backplane	2RBTVI008001	Mini-SAS HD & Slimline backplane	1
Backplane	2RBTVI008101	Mini-SAS HD backplane	1
HDD Tray	2RAKPH066200	2.5" hot-swap HDD tray	Max.12
HDD Tray	2RAKPH068100	2.5" hot-swap HDD tray with NVMe symbol	Max.4
Fan	3RAMFB016400	40 x 56mm PWM easy-swap, 21500 RPM, 4pin x 2	Max.6
Fan	2RAKFB011800	40 x 56mm PWM easy-swap fan & fan bracket, 4pin x 2	Max.6
Riser Card	2RAKPD079901	RSC 1U08 PCIe GEN4 x16 Riser Card (left-facing 90 degree design)	1
Back I/O Shield Plate		InWin can customize the I/O shield backplate for specific motherboards with SGCC material to fulfill customers' specific I/O configuration requirements.	1
Others	2RAKIP026400	Mesh front panel	1

\* InWin NVMe backplane supports PCIe 4.0, the actual data transfer speed will be determined by MB and HDD specifications.

\* All components and optional parts are not included. In Win Development Inc. reserves the right to make any final modification.